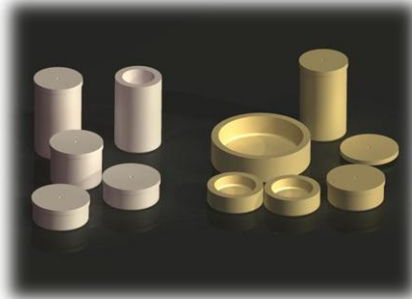


- Microwave Technologies
- Custom Technical Ceramics
- Industrial Services
- Quality Assurance, NQA - 1

Standard High Purity Oxide TGA Crucibles



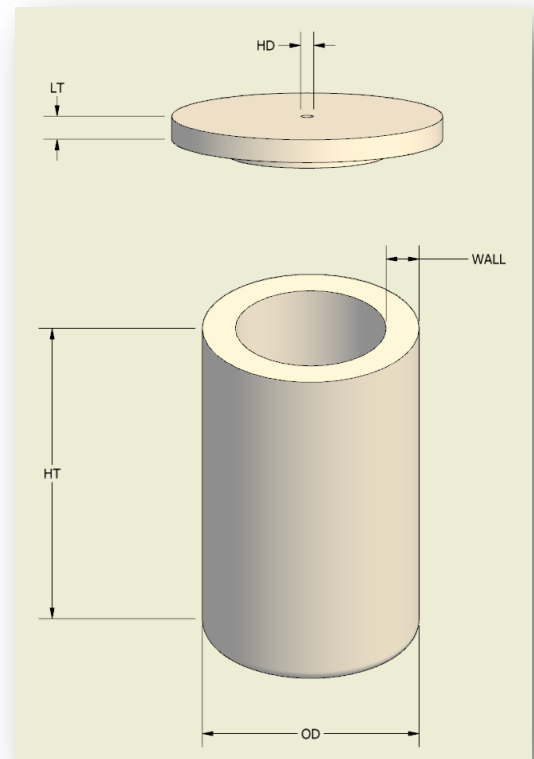
Hadron provides high performance standard form crucibles for use in Thermal-gravimetric Analysis (TGA) machines. Sizes conform to commonly used shapes and are available in high purity 99.9% alumina and Hadron's exclusive Yttria-Super (99.9% Pure) body.

See standard sizes available below or contact us for a specific size required in your process.

P/N (in mm)	OD	HT	WALL	LT	HD
TGA \diamond -050-080-**	5.0	8.0	.7	1	1
TGA \diamond -055-040-**	5.5	4.0	.7	1	1
TGA \diamond -060-020-**	6.0	2.0	.7	1	1
TGA \diamond -068-040-**	6.8	4.0	.7	1	1
TGA \diamond -106-030-**	10.6	3.0	.7	1	1

\diamond Use "C" for Crucible Only, "S" for Crucible and Lid Set

** Use YS for Yttria, AD999 for 99.9% alumina, YTZP for Zirconia



Please call or e-mail us at custserv@hadrontechnologies.com for pricing or inquiries about custom sizes and materials.