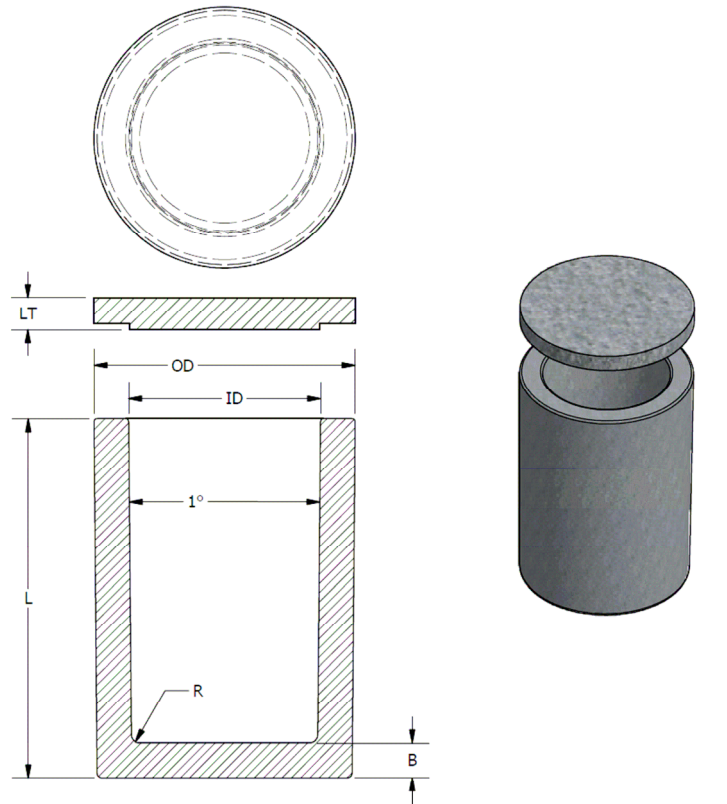


Standard Microwave Crucibles



Part Number	Volume (ml)	Material	OD	ID	L	B	R	Lid Number	LT
MC-0200 *	200	MFH-57	2.9"	2.3"	4.3"	.5"	.1"	MCL-0200	.5"
MC-0450 *	450	MFH-57	3.9"	2.8"	5.5"	.5"	.1"	MCL-0450	.5"
MC-4500 *	4500	MFH-57	8.0"	7.0"	8.0"	.5"	.15"	MCL-4500	.5"

Notes: Standard tolerances are +/- 4% on all dimensions UOS. Tighter tolerances are available upon request. Crucible volume is measured at 90% of the overall geometric capacity.

* Please call or email for availability and pricing – sales@hadrontechnologies.com